

In this Issue:

- Product In Focus
- Global News
- New Products
- Supersessions
- Staff Profile
- Advertising

Bullseye September 2016

Product In Focus - Brake Pad Sets MDP3000 Series

Meritor M520 friction material and features delivers:

- Excellent braking performance in high temperatures over 500 degrees
- Consistent and reliable brake performance
- Lower operating costs
- Reduced levels of disc wear
- North American and European applications
- Sheer strength exceeds the industry standard
- A long life product manufactured to the highest standards
- Supported by the one year/unlimited mileage aftermarket warranty

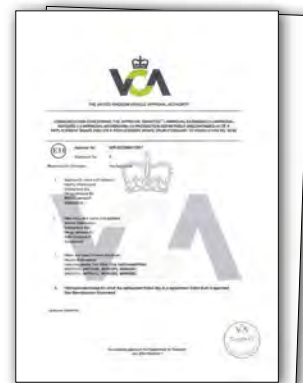


New Identity

With its own new brown box and part numbering sequence the MDP series can be perfectly differentiated from the MDP5000 series of Original Equipment brake pads. The “brown” box and AllFit brand is the new identity of quality for aftermarket brake pads.

ECE R90 Certification

Quality is always at the forefront of Meritor’s philosophy. All MDP3000 Series pads are ECE R90 certified, according to the VCA (Vehicle Certification Agency) and ECE R90 requirements.





Product In Focus - Brake Pad Sets MDP3228K, MDP3244K, MDP3246K

Advantages

- Manufactured with ECE R90 approved M520 material
- Suits BPW caliper # TSB3709/TSB4309
- Unique back plate design
- Replaces Trade Number 29228
- Replaces OE# 0509290130
0980107570
0980107960
0980107971



MDP3228K

Technical Features

- Every brake pad is hard marked "Meritor" to ensure permanent traceability
- Unique MDP3000 part numbering MDP3 + last 3 digits of WVA number "K" suffix indicates fitting kit included
- Exclusive Meritor M520 friction material
- Every pad UNCECER90 approved
- Manufacturing batch/date code away from caliper contact area to prolong traceability
- Manufactured from premium grade materials using state of the art casting and machining facilities to meet Meritor's exacting quality and engineering standards



MDP3244K



MDP3246K

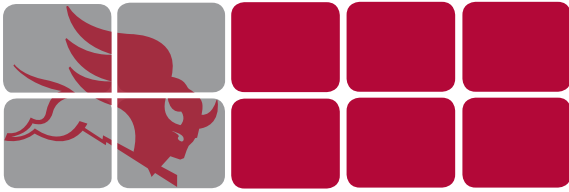
Part Number	Trade Number	OE Cross Reference	Application
MDP3244K	29244	KNORR SL7 A0064201520 / A0064205320	Merc. Benz Actros Drive Axle
MDP3246K	29246	KNORR SM7 A0064201420 / A0064205220	Merc. Benz Actros Steer Axle





Product In Focus - Brake Pad Sets MDP3000 Series

Trade Number (WVA)	Meritor Part Number	Caliper Number	Compare Number	Pad
29087	MDP3087K	KNORR SB7000	WDP020K	
29124	MDP3124K	MERITOR DX195	WDP024K	
29095	MDP3095K	KNORR SB6000	WDP036K	
29126	MDP3126K	WABCO PAN 19-1	WDP090K	
29165	MDP3165K	KNORR SB6000	WDP092K	
29171	MDP3171K	KNORR SK7000	WDP094K	
29173	MDP3173K	MERITOR ELSA 225-1	WDP095	
29162	MDP3162K	WABCO PAN 22-1	WDP096K	
29228	MDP3228K	TSB4309	WDP107K	
29131	MDP3131K	MERITOR ELSA 2	CVP088K	
29169	MDP3169K	MERITOR ELSA 195	29169	
29174	MDP3174K	MERITOR ELSA 225-3	CVP101K	
29125	MDP3125K	MERITOR D DUCO	29125	
29244	MDP3244K	KNORR BREMSE	29244	
29246	MDP3246K	KNORR BREMSE	29246	



Local News -

CLOSED FOR STOCKTAKE

MERITOR CVA STOCKTAKE 2016

We wish to advise that Meritor Commercial Vehicle Aftermarket will be undertaking stocktake on 8th and 9th of September 2016.

Please take note of the following dates and information:

Date	
Friday 2nd September	All returns back to Meritor
Wednesday 7th September	Parts store closed from 12pm
Thursday 8th September	CLOSED FOR STOCKTAKE
Friday 9th September	CLOSED FOR STOCKTAKE
Monday 12th September	Parts store re-opens at 8am, trade as normal

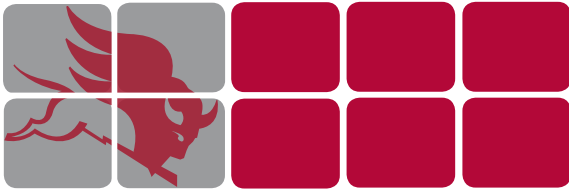
Also note:

Only price and stock check enquiries will be accepted during the stocktake closure.

Technical support staff will not be available.

Genuine VOR orders will continue to be processed during the stocktake period.

We would like to take this opportunity to thank you for your cooperation in this matter.



New Products & Supersessions

New Products

Part Number	Description
E-14926	Tie Rod End suits 140TR142
E-14927	Tie Rod End suits 140TR143
E-14928	Tie Rod End suits 971749
E-14929	Tie Rod End suits 971748

Supersessions

Old Part Number	Description	New Part Number
3299F7442	Bracket Brake Chamber	3299D7622
3276Z1144	Chamber Air Brake	3276B1146

All parts displayed in New Products & Supersessions will be available for immediate ordering. Lead times apply for the listed items.
Not all parts are available to Independent Customers.
Please contact Meritor Customer Service on (03) 8353 6050 for further information.
For full list of supersessions, [CLICK HERE](#)



Employee Profile - Matt Hart

Role at Meritor: Territory Manager WA
Year Joined: 2016

While we say happy retirement to Geoff Abbott who has been part of the Meritor family for 6 years, we introduce Matt Hart, our new sales representative for the WA region.

What is your background in Automotive Sales?

I started with Mazda Australia in a Parts Traineeships with the intention to move into the Heavy Transport industry after the completion of the Traineeship. I had an opportunity to work for Kenworth DAF W.A. This was a great stepping stone where I learnt all aspects of the Transport Industry working alongside the New Trucks Sales, Services & Spare parts. During my time at Kenworth DAF W.A., I completed three Paccar Training Courses. This included the Kenworth technology course working on the Paccar Line. After Kenworth I wanted to further expand my career. I accepted a role with BIS as the Purchasing and Maintenance officer at the Christmas Creek operation in the remote Pilbara. This role gave me a great insight into the day to day operations of a large fleet. After 12 months in the heat and dirt, I then secured employment with Truckline as Area Sales Representative of W.A. where I held this position for 5 years. Part of my role was acquiring major key accounts and opened a new branch in the Pilbara along with a sub-dealer network throughout Western Australia.

What are your main responsibilities?

The main responsibilities I have in the Western Australia region is the brand awareness of all the Meritor Brands and developing effective channels for distribution of Meritor products.

What do you like most about your role?

The most enjoyable part of my role is the diversity of the customer base I get to work with. From the OEM Dealer network all the way through to the Owner operators.

What do find most challenging about your role?

The most challenging aspect about my on-road sales role in Western Australia is the amount of hours you put in being on the road. Nothing in W.A. is only just down the road - on an average sales road trip you're doing over 1000kms. This can get quite lonesome at times.

What are your interests and hobbies outside work?

My interests and hobbies would be sports. I love to watch and play all types of sports. I love to travel around Australia and abroad.

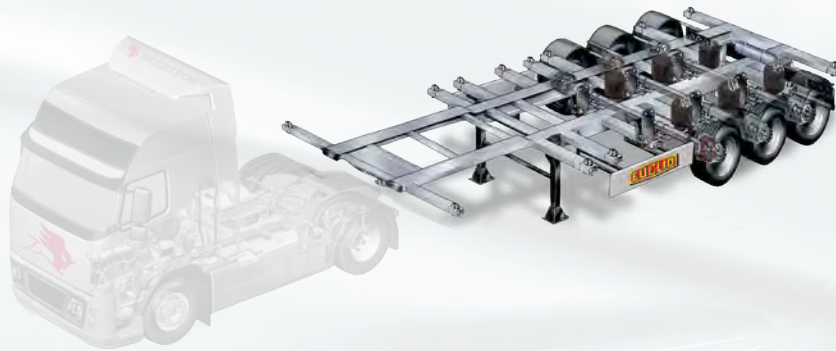




Advertising

Don't forget to check out our latest ad on Trailer parts in the next edition of Big Rigs!

For All Your Trailer Wheel Ends & Suspension Parts Needs



- Wheel Ends
- Brake Shoe Kits
- Camshafts
- Slack Adjusters
- Suspension Bushes
- Air Springs
- Air Valves and Hoses



Meritor has a comprehensive range to suit your trailer.



ALLFIT



For more information on Meritor's comprehensive range of wheel end and suspension trailer products, please contact your local sales representative or call customer service on 03 8353 6050 or visit www.meritorpartsonline.com

